

LOCKNUTS

Brass

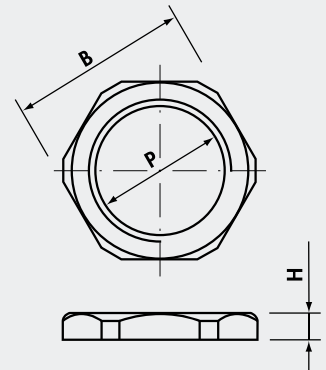
2033
2032
2031



Metric thread M 1,5 pitch CEI EN 60423

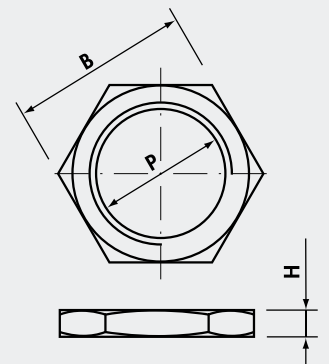
Ref. Nickel Plated Brass	P	B Spanner (mm)	H (mm)	Quantity Box/Bag
2033M12N	M12X1,5	15	2,8	2.000/100
2033M16N	M16X1,5	19	2,8	1.000/100
2033M20N	M20X1,5	24	3	1.000/100
2033M25N	M25X1,5	29	3,5	500/100
2033M32N	M32X1,5	36	4	400/100
2033M40N	M40X1,5	46	4,5	150/50
2033M50N	M50X1,5	55	5	100/50
2033M63N	M63X1,5	70	5,5	50/50

Material: Metric & Pg threads
NICKEL PLATED BRASS (CuZn 40 Pb 3)
BSP thread - PLAIN BRASS



Pg thread DIN 40 430 - Dimensions DIN 46 320

Ref. Nickel Plated Brass	P	B Spanner (mm)	H (mm)	Quantity Box/Bag
2032007N	Pg 7	15	2,8	2.400/100
2032009N	Pg 9	18	2,8	2.000/100
2032011N	Pg11	21	3	1.600/100
2032013N	Pg13,5	23	3	1.000/100
2032016N	Pg16	26	3	600/100
2032021N	Pg21	32	3,5	500/100
2032029N	Pg29	41	4	100/50
2032036N	Pg36	51	5	100/10
2032042N	Pg42	60	5	50/10
2032048N	Pg48	64	5,5	50/10



BSP thread ISO 228/1

Ref. Plain Brass	P	B Spanner (mm)	H (mm)	Quantity Box/Bag
2031014	G1/4"	15	3	2.400/100
2031038	G3/8"	19	3	2.000/100
2031012	G1/2"	24	3,5	1.000/100
2031058	G5/8"	26	4	500/50
2031034	G3/4"	30	4	500/50
2031100	G1"	37	4	250/25
2031118	G1"1/8	41	4,5	200/25
2031114	G1"1/4	45	4,5	200/20
2031112	G1"1/2	52	5,5	100/20
2031200	G2"	64	7	50/10
2031212	G2"1/2	80	7	20/5
2031300	G3"	95	8	20/5

Add to Ref: N for NICKEL PLATED BRASS