

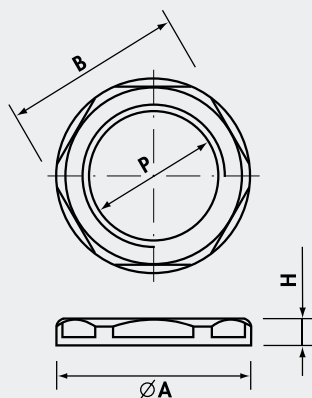
LOCKNUTS WITH COLLAR

Polyamide PA6 or PA6.6

1143
1142
1141



Material: POLYAMIDE PA6 or 6.6 self-extinguishing class V2 (UL 94)
Temperature range: -20°C to +90°C (continuous)
Colour: RAL 7035 light grey, RAL 9005 black, RAL 7001 dark grey



Metric thread M 1,5 pitch CEI EN 60423

Ref. Light Grey	P	Ø A (mm)	B Spanner (mm)	H (mm)	Quantity
1143M12	M12X1,5	18,5	17	5	100
1143M16	M16X1,5	24	22	5	100
1143M20	M20X1,5	29	27	6	100
1143M25	M25X1,5	35,5	32	6	100
1143M32	M32X1,5	45	41	7	50
1143M40	M40X1,5	55	50	7	30
1143M50	M50X1,5	65	60	8	30
1143M63	M63X1,5	82	75	8	15

Add to Ref: N for Black, G for Dark Grey

Pg thread DIN 40 430 - Dimensions DIN 46 320

Ref. Light Grey	P	Ø A (mm)	B Spanner (mm)	H (mm)	Quantity
1142007	Pg 7	21	19	5	100
1142009	Pg 9	24	22	5	100
1142011	Pg11	26	24	5	100
1142013	Pg13,5	29	27	6	100
1142016	Pg16	33	30	6	100
1142021	Pg21	39	36	7	50
1142029	Pg29	50	46	7	50
1142036	Pg36	66	60	8	30
1142042	Pg42	73	65	8	25
1142048	Pg48	78	70	8	20

Add to Ref: N for Black, G for Dark Grey

BSP thread ISO 228/1

Ref. Light Grey	P	Ø A (mm)	B Spanner (mm)	H (mm)	Quantity
1141012	G1/2"	29	27	6	100
1141112	G1"1/2	66	60	8	30
1141200	G2"	78	70	8	20

Add to Ref: N for Black