

AIRTOOLS



11 AIRTOOLS



Ratchets		244
Impact tools		245
Screwdrivers		248
Drills		249
Hammers		250
Sanders		251
Polishers and Grinders		254
Special tools		254
Blow guns		256
Vacuum cleaner and accessories		256
Airline accessories		257
Hoses and hose reels		260





USAG airtools are produced out in accordance to the prescriptions as of **98/37/EC**, and to standards **ISO 8662**, **PNEUROP PN8NTC182**, where applicable.

All USAG-airtools are guaranteed for a period of **12 months**.



913 B ■ 3/8"

Ratchet

– Ultra-compact reversible ratchet wrench with rear exhaust

Technical characteristics	
Maximum capacity (standard nuts)	M8
Torque range	6,5÷27 Nm
Max. torque	27 Nm
Free speed	200 rpm
Average air consumption	70 l/min
Air inlet	1/4"
Ø min. hose size	6 mm
Air pressure	6,2 bar
Length	165 mm
Weight	0,5 Kg



913 CN ■ 1/2"

Ratchet

– Reversible ratchet wrench with orientable exhaust

Technical characteristics	
Maximum capacity (standard nuts)	M10
Torque range	13÷61 Nm
Max. torque	68 Nm
Free speed	160 rpm
Average air consumption	112 l/min
Air inlet	1/4"
Ø min. hose size	8 mm
Air pressure	6,2 bar
Length	263 mm
Weight	1,1 Kg



913 B/S10

Ratchet kit in sheet steel box (10 pcs.)

– Complete with retainer pins and locking rings
235 MA-MB/2-3

340x180x65 mm 2,5 Kg

pcs.	description	art./size
1	Ratchet	913 B
7	Impact sockets	235 3/8"M/8-10-11-12-13-15-17
1	Extension	236 3/8"M/125
1	Oiler with oil	418 P/30



913 CN/S11

Ratchet kit in sheet steel box (11 pcs.)

– Complete with retainer pins and locking rings
235 MA-MB/5-6

383x220x68 mm 4,3 Kg

pcs.	description	art./size
1	Ratchet	913 CN
8	Impact sockets impact	235 1/2"M/10-13-14-17-19-21-22-24
1	Extension	236 1/2"M/125
1	Oiler with oil	418 P/30



910 B ■ 3/8"

Impact tool

– Reversible tool with power regulator

Technical characteristics

Maximum capacity (standard nuts)	M10
Torque range	7÷68 Nm
Max. torque	132 Nm
Strokes per minute	1500
Free speed	10.000 rpm
Average air consumption	60 l/min
Air inlet	1/4"
Ø min. hose size	8 mm
Air pressure	6,2 bar
Length	164 mm
Weight	1,2 Kg



910 CN ■ 1/2"

Impact tool

– Reversible tool with air exhaust through the handle and power regulator

Technical characteristics

Maximum capacity (standard nuts)	M14
Torque range	34÷374 Nm
Max. torque	510 Nm
Strokes per minute	1200
Free speed	9500 rpm
Average air consumption	112 l/min
Air inlet	1/4"
Ø min. hose size	10 mm
Air pressure	6,2 bar
Length	200 mm
Weight	2,5 Kg



910 B/S11

Impact tool kit in sheet steel box (11 pcs.)

– Complete with retainer pins and locking rings
235 MA-MB/2-3

340x180x65 mm ■ 3,5 Kg

pcs.	description	art./size
1	Impact tool	910 B
8	Impact sockets	235 3/8"M/8-10-11-12-13-14-15-17
1	Extension	236 3/8"M/125
1	Oiler with oil	418 P/30



910 CN/S17 910 CN/S11*

Impact tool kits in sheet steel box (17 pcs.-11 pcs.)

– Complete with retainer pins and locking rings
235 MA-MB/5-6

471x308x75 mm ■ 8,6 - 6,9 Kg

pcs.	*pcs.	description	art./size
1	1	Impact tool	910 CN
8	8	Impact sockets	235 1/2"M/10-13-17-19-21-22-24-27
6	–	Thin-walled deep impact sockets	235 1/2"MLS/17-19-21-22-24-27
1	1	Extension	236 1/2"M/125
1	1	Oiler with oil	418 P/30



940 CN ■ 1/2"

Impact tool

– Reversible tool with double hammer mechanism, air exhaust through the handle and power regulator

Technical characteristics

Maximum capacity (standard nuts)	M16
Torque range	34÷407 Nm
Max. torque	576 Nm
Strokes per minute	1150
Free speed	7000 rpm
Average air consumption	118 l/min
Air inlet	1/4"
Ø min. hose size	10 mm
Air pressure	6,2 bar
Length	187 mm
Weight	2,6 Kg



940 CN/S17 940 CN/S11*

Impact tool kits in sheet steel box (17 pcs.-11 pcs.)

– Complete with retainer pins and locking rings
235 MA-MB/5-6

 471x308x75 mm ■ 8,5 - 6,8 Kg

pcs.	*pcs.	description	art./size
1	1	Impact tool	940 CN
8	8	Impact sockets	235 1/2"M/10-13-17-19-21-22-24-27
6	–	Thin-walled deep impact sockets	235 1/2"MLS/17-19-21-22-24-27
1	1	Extension	236 1/2"M/125
1	1	Oiler with oil	418 P/30



941 C ■ 1/2"

Impact tool

– Reversible tool patented with double hammer mechanism, air exhaust through the handle, power regulator, ultra-light casing in high-resistance composite material and steel front housing

Technical characteristics

Maximum capacity (standard nuts)	M16
Torque range	68÷542 Nm
Max. torque	610 Nm
Strokes per minute	1250
Free speed	9500 rpm
Average air consumption	130 l/min
Air inlet	1/4"
Ø min. hose size	10 mm
Air pressure	6,2 bar
Length	175 mm
Weight	2 Kg



941 C/S17 941 C/S11*

Impact tool kits in sheet steel box (17 pcs.-11 pcs.)

– Complete with retainer pins and locking rings
235 MA-MB/5-6

 471x308x75 mm ■ 7,9 - 6,2 Kg

pcs.	*pcs.	description	art./size
1	1	Impact tool	941 C
8	8	Impact sockets	235 1/2"M/10-13-17-19-21-22-24-27
6	–	Thin-walled deep impact sockets	235 1/2"MLS/17-19-21-22-24-27
1	1	Extension	236 1/2"M/125
1	1	Oiler with oil	418 P/30



910 DN ■ 3/4"

Impact tool

– Reversible tool with air exhaust through the handle and power regulator

Technical characteristics	
Maximum capacity (standard nuts)	M22
Torque range	136÷680 Nm
Max. torque	1020 Nm
Strokes per minute	1200
Free speed	6500 rpm
Average air consumption	210 l/min
Air inlet	3/8"
Ø min. hose size	13 mm
Air pressure	6,2 bar
Length	229 mm
Weight	3,9 Kg



940 D ■ 3/4"

Impact tool

– Reversible tool with air exhaust through the handle

Technical characteristics	
Maximum capacity (standard nuts)	M24
Torque range	271÷813 Nm
Max. torque	1360 Nm
Strokes per minute	1000
Free speed	5500 rpm
Average air consumption	266 l/min
Air inlet	3/8"
Ø min. hose size	13 mm
Air pressure	6,2 bar
Length	213 mm
Weight	5,5 Kg



910 DN/S19 910 DN/S12*

Impact tool kits in sheet steel box (19 pcs.-12 pcs.)

– Complete with retainer pins and locking rings
235 MA-MB/8

575x250x125 mm 17,4 - 12,6 Kg

pcs.	*pcs.	description	art./size
1	1	Impact tool	910 DN
8	8	Impact sockets	235 3/4"M/17-19-22-24-27-30-32-36
7	–	Thin-walled deep impact sockets	235 3/4"MLS/22-24-27-30-32-33-36
2	2	Extensions	236 3/4"M/100-250
1	1	Oiler with oil	418 P/30



940 D/S19 940 D/S12*

Impact tool kits in sheet steel box (19 pcs.-12 pcs.)

– Complete with retainer pins and locking rings
235 MA-MB/8

575x250x125 mm 18,7 - 13,9 Kg

pcs.	*pcs.	description	art./size
1	1	Impact tool	940 D
8	8	Impact sockets	235 3/4"M/17-19-22-24-27-30-32-36
7	–	Thin-walled deep impact sockets	235 3/4"MLS/22-24-27-30-32-33-36
2	2	Extensions	236 3/4"M/100-250
1	1	Oiler with oil	418 P/30

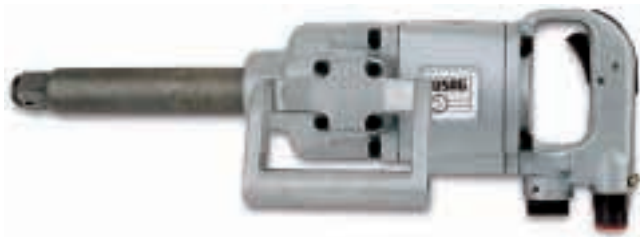


910 EN ■ 1"

Impact tool

– Reversible tool with power regulator

Technical characteristics	
Maximum capacity (standard nuts)	M30
Torque range	136 ÷ 1635 Nm
Max. torque	2100 Nm
Strokes per minute	750
Free speed	5000 rpm
Average air consumption	280 l/min
Air inlet	1/2"
Ø min. hose size	13 mm
Air pressure	6,2 bar
Length	280 mm
Weight	10,1 Kg



910 ELN ■ 1"

Impact tool

– Reversible tool with a 170 mm extended anvil and power regulator

Technical characteristics	
Maximum capacity (standard nuts)	M30
Torque range	136 ÷ 1360 Nm
Max. torque	2167 Nm
Strokes per minute	750
Free speed	5000 rpm
Average air consumption	280 l/min
Air inlet	1/2"
Ø min. hose size	13 mm
Air pressure	6,2 bar
Length	525 mm
Weight	12,1 Kg



940 E ■ 1"

Impact tool

– Reversible tool with air exhaust through the handle and power regulator

Technical characteristics	
Maximum capacity (standard nuts)	M33
Torque range	203 ÷ 1360 Nm
Max. torque	2170 Nm
Strokes per minute	800
Free speed	6000 rpm
Average air consumption	280 l/min
Air inlet	1/2"
Ø min. hose size	19 mm
Air pressure	6,2 bar
Length	254 mm
Weight	9,4 Kg



914 A ○ 1/4"

Screwdriver

– Reversible straight handle screwdriver, rear air exhaust and adjustable friction clutch for an effective control of the torque value

Technical characteristics	
Max. torque	13 Nm
Free speed	1800 rpm
Average air consumption	85 l/min
Air inlet	1/4"
Ø min. hose size	10 mm
Air pressure	6,2 bar
Length	260 mm
Weight	1,2 Kg

NOTE: For your safety always use "IMPACT" sockets and accessories



914 $\text{\textcircled{O}} \frac{1}{4}$ " Screwdriver

- Reversible pistol-grip screwdriver, air exhaust through the handle, friction clutch with oblique jaws for maximum torque value during tightening operation

Technical characteristics	
Max. torque	13 Nm
Free speed	1800 rpm
Average air consumption	85 l/min
Air inlet	1/4"
Ø min. hose size	10 mm
Air pressure	6,2 bar
Length	192 mm
Weight	1,1 Kg



914 B $\text{\textcircled{O}} \frac{1}{4}$ " Screwdriver

- Reversible pistol-grip screwdriver, air exhaust through the handle, adjustable friction clutch for an effective control of the torque value

Technical characteristics	
Max. torque	13 Nm
Free speed	1800 rpm
Average air consumption	112 l/min
Air inlet	1/4"
Ø min. hose size	10 mm
Air pressure	6,2 bar
Length	225 mm
Weight	1,2 Kg



916 B Drill

- Non reversible pistol grip drill with a keyless chuck, air exhaust through the handle and variable speed throttle

Technical characteristics	
Chuck capacity Ø	10 mm
Power	0,37 kw
Free speed	2100 rpm
Average air consumption	112 l/min
Air inlet	1/4"
Ø min. hose size	10 mm
Air pressure	6,2 bar
Length	201 mm
Weight	1,1 Kg



916 C Drill

- Non reversible pistol grip drill with a keyless chuck, air exhaust through the handle and variable speed throttle
- Supplied with additional handle

Technical characteristics	
Chuck capacity Ø	13 mm
Power	0,37 kw
Free speed	500 rpm
Average air consumption	112 l/min
Air inlet	1/4"
Ø min. hose size	10 mm
Air pressure	6,2 bar
Length	238 mm
Weight	1,7 Kg



916 D

Reversible drill

- Pistol grip drill, air exhaust through the handle.
- Can be used also to screw/unscrew.

Technical characteristics	
Chuck capacity Ø	10 mm
Power	0,37 kw
Free speed	2000 rpm
Average air consumption	112 l/min
Air inlet	1/4"
Ø min. hose size	10 mm
Air pressure	6,2 bar
Length	185 mm
Weight	1,1 Kg



918

Hammer with round shank

- Adjustable speed and built in power regulator for round chisel shanks 918 H

Technical characteristics	
Shank Ø	10 mm
Blows/min	3500
Piston stroke	67 mm
Piston Ø	18 mm
Average air consumption	85 l/min
Air inlet	1/4"
Ø min. hose size	10 mm
Air pressure	6,2 bar
Length	207 mm
Weight	1,6 Kg



916 E

Reversible drill

- Pistol grip drill, air exhaust through the handle.
- Can be used also to screw/unscrew or to thread.
- Supplied with additional handle.

Technical characteristics	
Chuck capacity Ø	13 mm
Power	0,37 kw
Free speed	400 rpm
Average air consumption	112 l/min
Air inlet	1/4"
Ø min. hose size	10 mm
Air pressure	6,2 bar
Length	225 mm
Weight	1,7 Kg



918 E

Hammer with hexagon shank

- Adjustable speed and built in power regulator, for hexagon chisel shanks 918 EH

Technical characteristics	
Shank Ø	10 mm
Blows/min	3500
Piston stroke	67 mm
Piston Ø	18 mm
Average air consumption	85 l/min
Air inlet	1/4"
Ø min. hose size	10 mm
Air pressure	6,2 bar
Length	207 mm
Weight	1,6 Kg

NOTE: For your safety always use protective eyewear and gloves

918 M

Spare spring

– For 918 and 918 E



918 H

Round shank chisels

918 EH

Hexagon shank chisels

- Chrome vanadium steel
- Polished, oiled finish



n°	model	L mm	W gr
1	edging tool	150	140
2	punch	165	140
3	straight chisel	160	150
4	cutting chisel	155	145
5	tail pipe cutter	140	130

918 H/SE5

Set of five chisels (918 H/1÷5)

– In plastic bag **W** 740 gr

918 EH/SE5

Set of five chisels (918 EH/1÷5)

– In plastic bag **W** 740 gr



918 S7

918 E/S7*

Tool kits in sheet steel box (7 pcs.)

383x220x58 mm **W** 4 Kg

pcs.	description	art./size
1	Hammer with round shank * (Hammer with hex. shank)	918 (918 E)
5	Round shank chisels * (Hex. shank chisels)	918 H/1÷5 (918 EH/1÷5)
1	Oiler with oil	418 P/30

920 A

Orbital sander

- Sander with feature allowing either circular or orbital movement, with built in power and speed regulator
- Supplied with pad 920 AV



Technical characteristics

Pad Ø	150 mm
Free speed	10000 rpm
Average air consumption	112 l/min
Air inlet	3/8"
Ø min. hose size	6 mm
Air pressure	6,2 bar
Length	260 mm
Weight	2,1 Kg

920 AP

Spare pad for adhesive plate

920 AV

Spare pad for Velcro plate



920 AK

Dust aspirator

– For orbital sander 920 A; inspires sanding dust

Technical characteristics

Pad Ø	150 mm
Weight	0,3 Kg

Note: For optimum USAG hammer performance use only original USAG chisels



920 A1

Rotor orbital sander

- Adjustable speed and built in power regulator for intermediate and finishing operations
- Supplied with pad. 920 AV6

Technical characteristics	
Pad	150 mm
Free speed	10000/min
Ø orbit	5 mm
Average air consumption	400 l/min
Air inlet	1/4"
Ø min. internal air hose size	10 mm
Air pressure	6,2 atm
Ø dust hose size	29 mm
Length	248 mm
Weight	1,1 Kg



920 A2

Rotor orbital sander

- Adjustable speed and built in power regulator for roughing operations
- Supplied with pad 920 AV6

Technical characteristics	
Pad	150 mm
Free speed	8000/min
Ø orbit	8 mm
Average air consumption	420 l/min
Air inlet	1/4"
Ø min. internal air hose size	10 mm
Air pressure	6,2 atm
Ø dust hose size	29 mm
Length	300 mm
Weight	1,6 Kg

920 AP

Spare pad for adhesive disks

- For 920 A1-A2

Holes
6
9

920 AV

Spare pad for Velcro disks

- For 920 A1-A2

Holes
6
9



920 A3

Rotor orbital sander

- Adjustable speed and built in power regulator for roughing and finishing operations on medium and large surfaces
- Supplied with pad 920 AV8

Technical characteristics	
Pad	200 mm
Free speed	8000/min
Ø orbit	5 mm
Average air consumption	450 l/min
Air inlet	1/4"
Ø min. internal air hose size	10 mm
Air pressure	6,2 atm
Ø dust hose size	29 mm
Length	300 mm
Weight	2,1 Kg

920 AV/8

Spare pad

- For Velcro disks (8 holes)



920 C

Orbital sander

- Adjustable speed and built in power regulator with rear air exhaust

Technical characteristics	
Pad	90x170 mm
Free speed	8000/min
Average air consumption	170 l/min
Air inlet	1/4"
Ø min. internal air hose size	10 mm
Air pressure	6,2 bar
Length	213 mm
Weight	2,1 Kg

920 CP

Spare pad



920 C1 - 920 C2

Orbital sander

- Adjustable speed and built in power regulator, for roughing and finishing operations
- Normal plate for 920 C1 and Velcro plate for 920 C2

Technical characteristics	
Pad	115x210 mm
Free speed	7500 rpm
Ø orbit	5 mm
Average air consumption	420 l/min
Air inlet	1/4"
Ø min. internal air hose size	10 mm
Air pressure	6,2 bar
Ø dust hose size	29 mm
Length	340 mm
Weight	2,8 Kg



920 C3 - 920 C4

Orbital sander

- Adjustable speed and built in power regulator, for smoothing operations
- Normal plate for 920 C3 and Velcro plate for 920 C4

Technical characteristics	
Pad	70x400 mm
Free speed	7500/min
Ø orbit	5 mm
Average air consumption	420 l/min
Air inlet	1/4"
Ø min. internal air hose size	10 mm
Air pressure	6,2 atm
Ø dust hose size	29 mm
Length	420 mm
Weight	2,5 Kg

920 C1F

Paper perforator

- For 920 C1 - C2

920 C2F

Paper perforator

- For 920 C3 - C4



920 D

Angle sander

- Adjustable speed and built in power regulator and front air exhaust

Technical characteristics	
Pad	178 mm
Free speed	5000 rpm
Average air consumption	225 l/min
Air inlet	1/4"
Ø min. internal air hose size	10 mm
Air pressure	6,2 bar
Length	371 mm
Weight	2,1 Kg

920 DP

Spare pad for adhesive disks

- For 920 D - E

920 DV

Spare pad for Velcro disks

- For 920 D - E



920 F

High speed sander

- Pistol grip sander with variable speed throttle, air exhaust through the handle
- Supplied with three pads 920 FP/SE3

Technical characteristics	
Pads	76-102-127 mm
Free speed	18000 rpm
Average air consumption	340 l/min
Air inlet	1/4"
Ø min. internal air hose size	10 mm
Air pressure	6,2 bar
Length	126 mm
Weight	1 Kg

920 FP/SE3

Spare pads (76-102-127 mm)

Note: sanders 920 A1-A2-A3 and 920 C1-C2-C3-C4 have to be used with USAG vacuum cleaner 929



920 E

Angle polisher

- Built in power and speed regulator, front air exhaust
- Supplied without cover

Technical characteristics	
Pad Ø	178 mm
Free speed	2500 rpm
Average air consumption	225 l/min
Air inlet	1/4"
Ø min. internal air hose size	10 mm
Air pressure	6,2 bar
Length	371 mm
Weight	2,1 Kg



921 A1 - 921 A2*

Angle grinders

- Built in power and speed regulator, front air exhaust

Technical characteristics	
Disk Ø	102 mm
Disk *	127 mm
Power	0,76 kw
Free speed	12000 rpm
Average air consumption	170 l/min
Air inlet	1/4"
Ø min. internal air hose size	10 mm
Air pressure	6,2 bar
Length	226 mm
Weight	1,8 Kg
Weight *	1,9 Kg



921

Die grinder

- Multi purpose grinder, built in power and speed regulator, shaft ball bearing construction, front air exhaust

Technical characteristics	
Collet size	6 mm
Power	0,25 kw
Free speed	25000 rpm
Average air consumption	420 l/min
Air inlet	1/4"
Ø min. internal air hose size	10 mm
Air pressure	6,2 bar
Length	142 mm
Weight	0,5 Kg



922 C - 922

Spot weld drill

- Adjustable fraise depth and auto-centring fraise
- Supplied with auto-centring fraise ø 8 mm and service key
- The spot weld drill is supplied without contrast arch

Technical characteristics	
Free speed	1800 rpm/min
Average air consumption	250 l/min
Air inlet	1/4"
Ø min. internal air hose size	10 mm
Air pressure	6,2 atm
Length	245 - 290 mm
Weight	1,4 - 1,7 Kg

922 F

Spare fraise (ø 8 mm)



For your safety

- always use protective eyewear, gloves and dust mask when grinding or smoothing
- disconnect the tool before attempting any repairs
- do not remove the protective housings supplied with the tools



923

Reciprocating saw

– Adjustable speed, for use with blades 923 L/1-2

Technical characteristics	
Strokes/min.	9000
Average air consumption	225 l/min
Air inlet	1/4"
Ø min. internal air hose size	6 mm
Air pressure	6,2 bar
Length	226 mm
Weight	0,6 Kg

923 L

Blades

- Super high-speed steel
- Enamelled finish



n°	teeth/inch	applications	L mm	gr
1	32	sheet steel	90	4
2	24	light alloys, plastic, wood	90	4



925

Silicone gun

- Silicone flow adjustment, for use with standard cartridges (50x215 mm)
- For silicone, adhesives and cements of medium density

Technical characteristics	
Air inlet	1/4"
Ø min. internal air hose size	10 mm
Air pressure	4,8 bar
Length	312 mm
Weight	1,2 Kg



924

Wind screen cutter

- With interchangeable blades and speed adjustment, for removing windshields and glued windows
- Supplied with blades 924 L/2-4-8

Technical features	
Oscillations/min	20000
Oscillation width	3°
Average air consumption	112 l/min
Air inlet	1/4"
Ø min. internal air hose size	10 mm
Air pressure	6,2 bar
Length	197 mm
Weight	1,2 Kg



924 L

Blades

- Carbon steel
- Chrome plated finish

n°	type	L mm	gr
1	scraper	80	30
2	straight flat	67	10
3	straight angled	60	10
4	straight hook	62	15
5	long offset	128	26
6	short hook	64	15
7	long hook	62	44
8	curved offset	88	20

924 L/SE8

Set of eight blades (924 L/1÷8)

■ 110 gr



927

Blow gun

- Blow gun with built in muffler, antichoc plastic body and gradual valve for easy regulation of air power

Technical characteristics

Noise level at 6 bar	79 dBA
Average air consumption at 6 bar	142 l/min
Air inlet	1/4"
Length	240 mm
Weight	128 gr

929

Vacuum cleaner

- Electronic model with two engines with automatic ignition and retarded switching off
- Possibility of connecting to two electrical or pneumatic machines
- Automatic cut-off valve (wet)
- Shockproof plastic body
- Supplied with:
 - Flexible hose (ø 40 mm x 2,5 m)
 - Flat spout
 - Double connection
 - Paper bag
 - Paper bag cover

Technical characteristics

Power supply	220 V
Power	2000 W
Average air consumption	106 l/sec
Vacuum	190 mbar
Tank capacity	58 l
Sound level	63 dBa
Dimensions	52x52x92 cm
Weight	19,5 Kg

929 AD

Paper bag (5 pcs)



929 AC

Paper bag cover



929 BA

Flexible hose (5 m)



927 MN

Blow gun with gauge

- With double valve, aluminium body and graduated scale in bar/psi
- Certified according to CEE 86/217 standards

Technical characteristics

Scale	0÷10 bar/0÷140 psi
Inner head Ø	6 mm
Air inlet	1/4"
Body length	195 mm
Hose length	440 mm
Weight	600 gr



929 AT

Antistatic filter



929 AF

Cloth filter



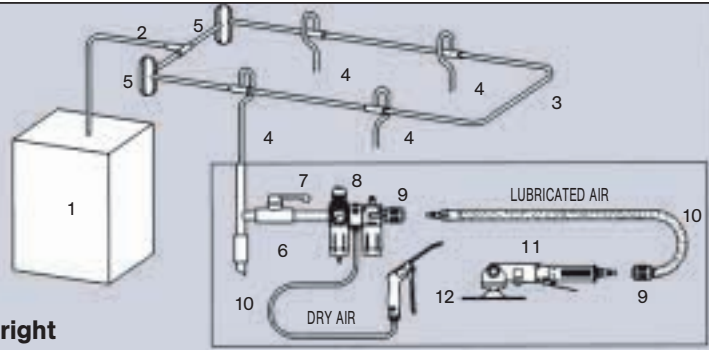
929 BT

Air hose and suction (5 m)



INSTALLATION DIAGRAM - EXAMPLE

- 1 Compressor
- 2 Main air line
- 3 Distribution line
- 4 Air line to workpiece
- 5 Air/moisture separator
- 6 Automatic drain
- 7 Shut-off valve
- 8 Filter-regulator-lubricator unit
- 9 Quick change coupler
- 10 Flexible air hose
- 11 Airtool
- 12 Blow gun



A correct air distribution network must assure the right working pressure to all the connected units



930

Filter-regulator-lubricator with protective metal bowls

- Filter with semi-automatic humidity purge (automatic purge for item 930/3/4”) and with sintered bronze filter element (filter capacity 40 micron)
- Pressure regulator with incorporated exhaust valve, adjustment knob with locking device and manometer with scale ranging from 0÷12 bar (0÷160 psi)
- Lubricator with see-through oil glass and incorporated regulator
- Body in light alloy
- Bowls in shockproof plastic material with protective sheet steel cups
- Enamelled finish
- Operating temperature -10°C ÷ +50°C

thread ”	throughput (6 bar) l/min	max. bar pressure	sizes mm	Kg
1/4	800	12	190x90x80	0,7
3/8	1250	12	230x130x135	1,7
1/2	1250	12	230x130x135	1,7
3/4	3500	12	290x270x160	4,5

930 M

Spare gauge

- For 930/1/4”÷3/4”



930 A

Spare filter bowl

size ”
1/4
3/8-1/2
3/4



930 B

Spare lubricator bowl

size ”
1/4
3/8-1/2
3/4



930 F

Air drawing flanges

- Flange to be positioned between the filter-regulator and the lubricator to draw regulated and filtered air before lubrication
- Light alloy
- Chrome-plated finish

size ”	for art.	gr
1/4	930/1/4”	138
3/8	930/3/8”-1/2”	190



930 G

Lubricating oil for airtools

- A specially formulated oil will help to increase airtool performance and durability. It can be applied through a lubricator or directly into the airtool
- 500 cc bottle

Note: Airtool performance and durability are totally dependent on the quality of the air supply which must be: **clean and dry**, by fitting filters which trap dust and extract moisture from the air; **at the correct pressure**, by using regulators which keep air pressure at the correct level; **lubricated** by use of lubricators which automatically supply the correct amount of oil to the tool.

931

Bayonet connection with sleeve for rubber hose

- Brass body
- Nickel plated finish



hose ø mm	throughput (6 bar) l/min	L mm	gr
6x14	1000	50	45
8x17	1000	50	55

932

Threaded male connection for rubber hose

- Cylindrical thread
- Brass body
- Nickel plated finish



n°	thread "	int. hose ø mm	throughput (6 bar) l/min	L mm	gr
A6	1/4	6	1000	35	12
A8	1/4	8	1000	35	13
A10	1/4	10	1000	35	17
B10	3/8	10	3650	42	34
B12	3/8	12	3650	42	34
C12	1/2	12	5300	46	40

933 A

Male pipe fitting with milled nut for bayonet connection

- Cylindrical thread
- Brass body, nut in light alloy
- Nickel and chrome plated finish



thread "	throughput (6 bar) l/min	L mm	gr
1/4	1000	38	34

934 A

Universal quick coupler with balls and sleeve for rubber hose

- Brass body, grip in shockproof plastic material
- Nickel plated finish



hose ø mm	throughput (6 bar) l/min	L mm	gr
6x14	2000	71	100
8x17	2000	71	110
10x19	2000	71	120

934 B

Male threaded universal quick coupler with balls

- Brass body, grip in shockproof plastic material
- Nickel plated finish



thread "	throughput (6 bar) l/min	L mm	gr
1/4	2000	52	80
3/8	2000	52	80
1/2	2000	52	100

934 C

Female threaded universal quick coupler with balls

- Brass body, grip in shockproof plastic material
- Nickel plated finish



thread "	throughput (6 bar) l/min	L mm	gr
1/4	2000	52	85
3/8	2000	52	90

935 A

Nipple for quick coupler with sleeve for rubber hose

- Brass body
- Nickel plated finish



hose ø mm	throughput (6 bar) l/min	L mm	gr
6x14	1750	62	50
8x17	1750	62	58
10x19	1750	62	75

935 B

Male threaded nipple for quick coupler

- Cylindrical thread
- Brass body
- Nickel plated finish



thread "	throughput (6 bar) l/min	L mm	gr
1/4	1750	40	20
3/8	1750	40	31

935 C

Female threaded nipple for quick coupler

- Brass body
- Nickel plated finish



thread "	throughput (6 bar) l/min	L mm	gr
1/4	1750	40	26
3/8	1750	40	30

935 D

Nipple for higher flow rates with sleeve for rubber hose

- Brass body
- Nickel plated finish



hose ø mm	throughput (6 bar) l/min	L mm	gr
8x17	2200	57	52

935 E

Male threaded nipple for higher flow rates

- Conical thread
- Steel body
- Zinc-chrome plated finish



thread "	throughput (6 bar) l/min	L mm	gr
1/4	2200	35	18
3/8	2200	35	28
1/2	2200	35	40

935 F

Female threaded nipple for higher flow rates

- Steel body
- Zinc-chrome plated finish



thread "	throughput (6 bar) l/min	L mm	gr
1/4	2200	35	24
3/8	2200	35	25

936 A

Universal quick coupler, with spring for nylon hose

- Brass body, grip in shockproof plastic material
- Nickel plated finish



hose ø mm	throughput (6 bar) l/min	L mm	gr
6x8	2000	142	96
8x10	2000	142	106
10x12	2000	142	114

936 B

Nipple for quick coupler with spring for nylon hose

- Brass body
- Nickel plated finish



hose ø mm	throughput (6 bar) l/min	L mm	gr
6x8	1750	112	48
8x10	1750	112	60
10x12	1750	130	55

936 C

Higher flow rates nipple for quick coupler with spring for nylon hose

- Brass body, steel nipple
- Nickel and zinc-chrome plated finish



hose ø mm	throughput (6 bar) l/min	L mm	gr
6x8	2200	112	58
8x10	2200	112	70
10x12	2200	112	77

Note: For optimum tool performance use accessories designed for the tool. Connections and elastic hoses must be the correct size in order to prevent excessive pressure drops

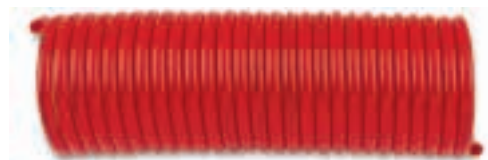


937 A

Self-storing RILSAN hose with 1/4" male fixed and male swivelling connections

– Operating temperature: $-40^{\circ}\text{C} \div +80^{\circ}\text{C}$

n°	hose ø mm	operating pressure bar	bursting pressure bar	L m	gr
6	6x8	29	63	7,5	225
6 L	6x8	29	63	15	420
8	8x10	18	50	7,5	325
8 L	8x10	18	50	15	512

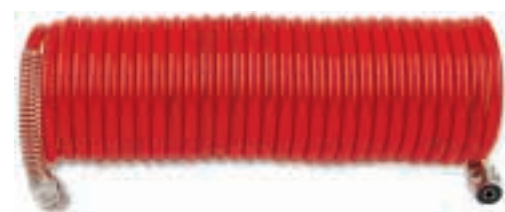


937 C

Self-storing RILSAN hose without connections

– Operating temperature: $-40^{\circ}\text{C} \div +80^{\circ}\text{C}$

n°	hose ø mm	operating pressure bar	bursting pressure bar	L m	gr
6	6x8	29	63	30	600
8	8x10	18	50	30	870
10	10x12	17	39	30	1120



937 B

Self-storing RILSAN hose with bayonet connection and nipple for quick coupler

– Operating temperature: $-40^{\circ}\text{C} \div +80^{\circ}\text{C}$

n°	hose ø mm	operating pressure bar	bursting pressure bar	L m	gr
6	6x8	29	63	7,5	235
6 L	6x8	29	63	15	385
8	8x10	18	50	7,5	325
8 L	8x10	18	50	15	510
10	10x12	17	39	7,5	400
10 L	10x12	17	39	15	700



938

Elastic hose in thermoplastic rubber without connections

– Polyester braided

– Operating temperature: $-10^{\circ}\text{C} \div +60^{\circ}\text{C}$

n°	hose ø mm	operating pressure bar	bursting pressure bar	L m	Kg
6	6x14	20	60	20	3,4
8	8x17	20	60	20	4,8
10	10x19	20	60	20	5,5



939

Hose reel

- Model with automatic hose rewind and stops that can be inserted every 50 cm
- Impact-resistant plastic body with swivel bracket for attachment to wall
- Polyurethane hose with polyester yarn reinforcement and PVC coating, suitable for the passage of cold air and water
- Supplied with feeding hose (2 m) and male fittings 1/4"

L m	hose ø mm	operating pressure bar	bursting pressure bar	L mm	Kg
7,5	8x14	12	36	320x280x140	4,5



939 L

Hose reel

- Model with automatic hose rewind and stops that can be inserted every 50 cm
- Sheet steel body with swivel bracket for attachment to wall
- Polyurethane hose with polyester yarn reinforcement and PVC coating, suitable for the passage of cold air and water
- Supplied with feeding hose and male fittings 1/4" (output) and female fittings 3/8" (input)

L m	hose ø mm	operating pressure bar	operating pressure bar	L mm	Kg
12	8x12	20	60	377x340x165	9

FITTINGS: CONNECTION DIAGRAM

